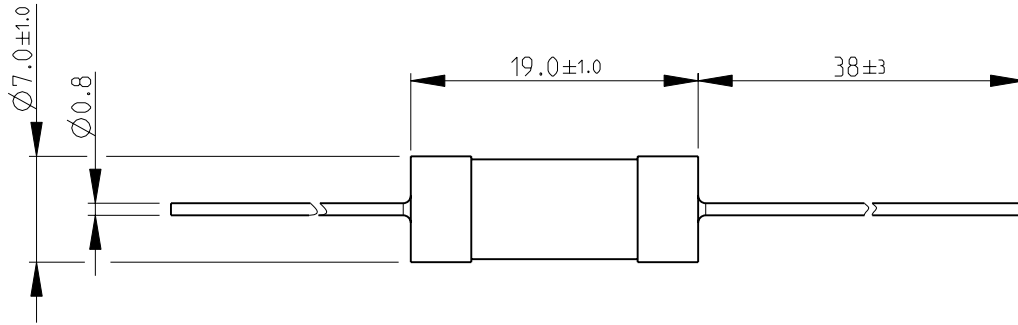
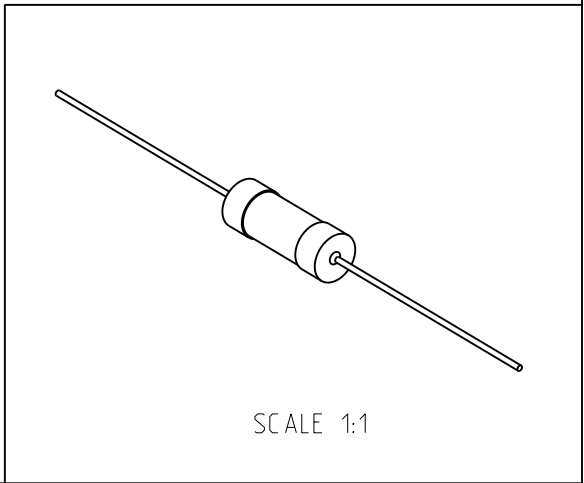


LOC	DIST	REVISIONS			
P	LTR	DESCRIPTION	DATE	DWN	APVD
E	B	BA1	REVISED PER ECO-11-005150	29MAR2011	RK HMR

FOR FURTHER INFORMATION SEE DATA SHEET FOR CCR SERIES-CERAMIC COMPOSITION RESISTORS



RoHS Compliant



2008

RELEASED FOR PUBLICATION

ALL RIGHTS RESERVED.

THIS DRAWING IS UNPUBLISHED.

© COPYRIGHT 2008

DIMENSIONS:		DWN	19-Sep-08	MATERIAL	-	FINISH	-
mm		SUBHASH.M		TE Connectivity			
TOLERANCES UNLESS OTHERWISE SPECIFIED:		CHK	19-Sep-08				
0 PLC	±0.2	PRAKASH.S		NAME CERAMIC COMPOSITION RESISTORS SERIES CCR2			
1 PLC	±0.1	APVD	19-Sep-08				
2 PLC	±	STEPHEN.P		SIZE	CAGE CODE	DRAWING NO	RESTRICTED TO
3 PLC	±	PRODUCT SPEC	-	A 4	00779	©-1623720	-
4 PLC	±	APPLICATION SPEC	-	CUSTOMER DRAWING			
ANGLES	±5°	WEIGHT	-				
		CUSTOMER DRAWING		SCALE 2:1		SHEET 1 OF 1	
						REV BA1	